

Questionnaire for energy drag chains

Company _____

First name, Name _____

Street, No. _____

Postal Code, Place _____

Phone / Fax _____

E-Mail _____

Installation site _____

Kind of machine _____

In operation since _____

Sender _____

1. Drag Chain-Parameter

1. Chain length/chain width m/mm _____

2. Chain pitch mm _____

3. Bending radius mm _____

4. Guide stays existing yes no

5. Frame stays existing yes no

6. Layout/Installation horizontal vertical

4. Environmental-Parameter

1. Operating temprature °C _____

2. Kind of chemical influences _____

3. Other environmental influences _____

2. Installation and Movement-Parameter

1. Movement distance (max.) m _____

2. Speeds m/s _____

3. Acceleration m/s² _____

4. Frequency per time unit x/h _____

5. Average movement distance/cycle m _____

6. Daily working duration h _____

7. Feeding at mid of moving distance yes no

8. Additional weight/chain kg _____

3. Cable-Parameter

1. Cable length (total) m _____

2. Cable length (mobile) m _____

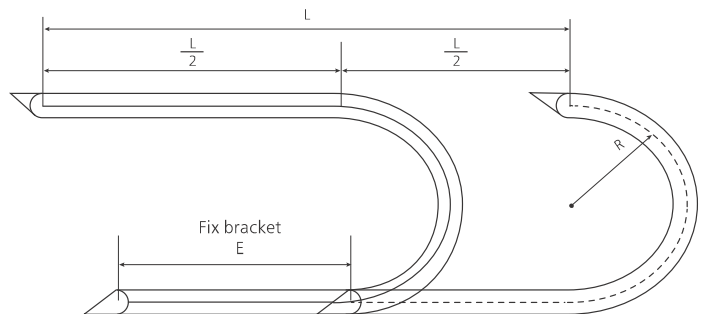
3. Number of cables n _____

4. Cable clamping without strain yes no

5. Number of cores per cable n _____

6. Cable screened yes no

7. Cable halogen-free yes no



L = Movement distance
 R = Radius
 E = Distance between cable entrance and mid of moving distance

No.	Part-No.	Cable type	No. cores/cross-sec.	Notes
1.				
2.				
3.				
4.				